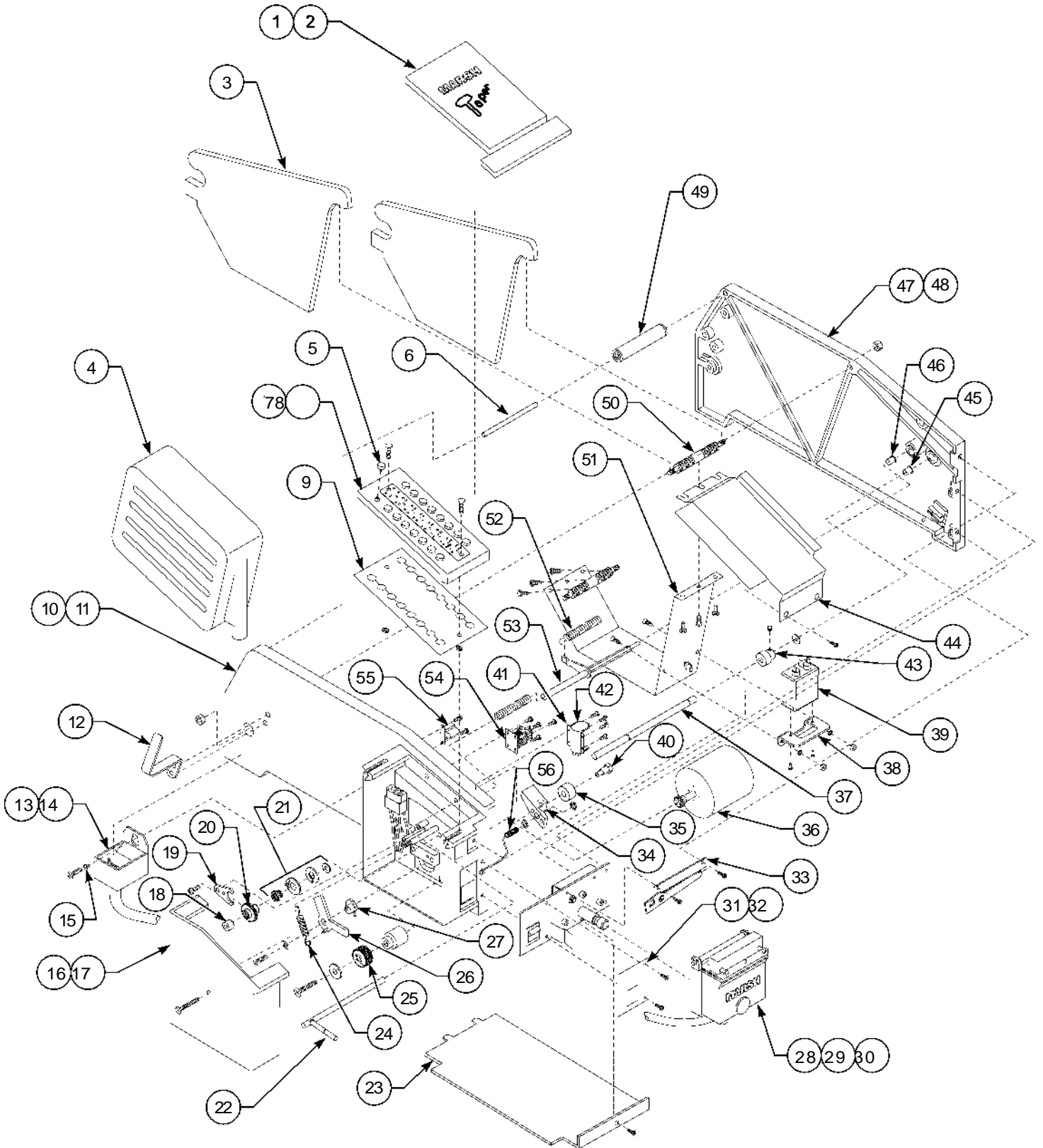


Marsh Ultra Parts List



Marsh Ultra Parts List

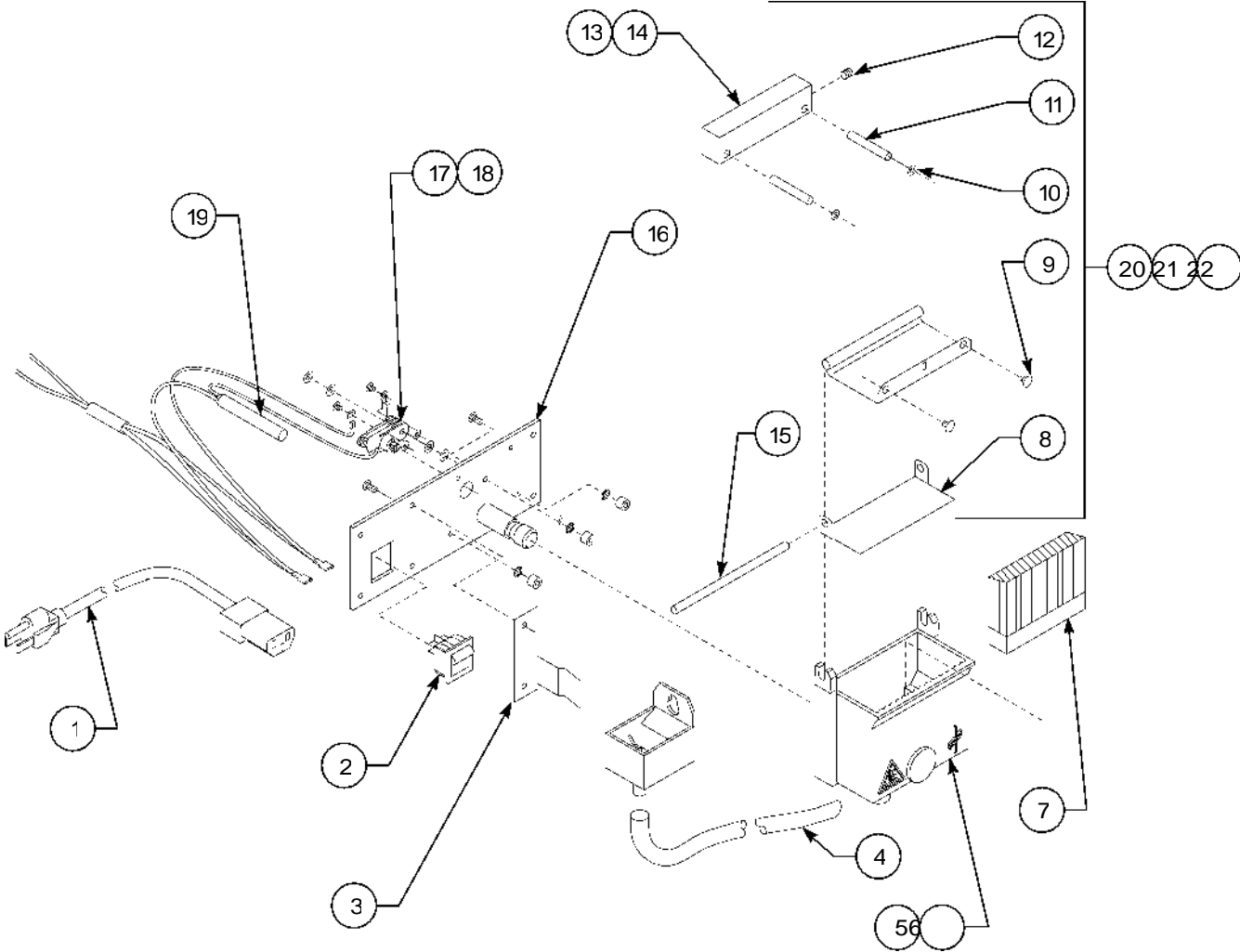
The following pages show the Touch Taper and list the corresponding numbers for repair parts. Please order your replacement parts by requesting the part numbers shown. Please also note the quantity provided in each package.

Description	Part Number	Quantity Per
1. Weight, cover	RP12977	1
2. Weight, cover red	RP18487	1
3. Plate, spacer	RP1525	1
4. Bottle, water	RP1903P	1
5. Button cap set	RP29296	1
Button, yellow		1
Button, green		1
Button, blue		1
6. Shaft, tape roller	RP5016	1
7. Cover, switch	RP12976	1
8. Cover, switch red	RP18489	11
9. Board assembly, pc controller ultra taper	RP12788	1
10. Chassis assembly, left side	RP12933	1
11. Chassis Assembly, Right Side	RP18494	1
12. Bracket, bottle	RP1909	1
13. Regulator, water level	RP12606	1
14. Regulator, water level red	RP1 8483	1
15. Bushing, water level regulator	RP1912	1
16. Cover, gear assembly	RP12053	1
17. Cover, gear assembly red	RP1 8480	1
18. Clutch, feed shaft	RP11902	1
19. Yoke and pin assembly	RP11915	1
20. Clutch, main	RP11901	1
21. Clutch assembly, cutter	RP12337	1
22. Shaft assembly, pivot	RP12424	1
23. Cover, bottom	RP12411	1
24. Spring, Cutter UT	RP12378	5
25. Gear, idler	RP12494	1
26. Link sub-assembly, cutter	RP12365	1
27. Bushing assembly, ecc cutter link	RP1 3013	1
28. Tank assy, with brush and water system	RP12619	1
29. Tank assy, red	RP18482	1
30. Plate, pressure pad	RP1705B	1

Marsh Ultra Parts List

31.	Cover assembly, switch	RP13016	1
32.	Cover assembly, switch red	RP18488	1
33.	Cutter assembly	RP22037	1
34.	Bracket, measuring wheel	RP17390	1
35.	Wheel assembly, measuring	RP17666	1
36.	Motor assembly, 115 volt	RP16716	1
	Motor assembly, 230 volt	RP16717	1
37.	Shaft, feed wheel	RP14656	1
38.	Bracket, Filter	RP27539	1
39.	Filter, line	RP25348	1
40.	Bolt, shoulder	RP17389	1
41.	Clamp, capacitor	RP1804C	1
42.	Capacitor, 5 MF	RP1804B	1
	Capacitor, 3 MF	RP12488	1
	Capacitor, 4 MF	RP16424	1
	Capacitor, 6 MF	RP16202	1
43.	Wheel, feed	RP12263	1
44.	Channel, tape	RP29242	1
45.	Bearing, flanged nylon	RP3101A	2
46.	Bearing, flanged nylon 1/4 x 3/8 x 3/8	RP14881	2
47.	Chassis assembly, right side also includes foot pads; flanged nylon bearings; adhesive cable clamp)	RP12932	1
48.	Chassis assembly, right side red	RP18485	1
49.	Tape Roller assembly	RP5015X	1
50.	Rod, tie - metric	RPE/1401	1
51.	Tape receptacle	RP27530	1
	*Also available as part of the hardware kit	RP14269.	
52.	Spring, solenoid	RP12407	5
53.	Shaft assembly, shift	RP13008	1
54.	Solenoid assembly, 115 volt	RP27383	1
	Solenoid assembly, 230 volt	RP27384	1
55.	Transformer assembly, 115 volt	RP12934	1
	Transformer assembly, 230 volt	RP12938	1
56.	Sensor, with connector	RP14334	1

Marsh Ultra Parts List Front End including Heater Assy



	Description	art Number	Quantity Per
1.	Cord, power supply	RPJ500-0043-001	1
2.	Switch, on/off with light 115V	RP1392	1
	Switch, on/off with light 230V	RPE/1393	1
3.	Latch, brush tank	RP1702L	1
4.	Water hose	RP1906B	2
5.	Tank, brush	RP12618	1
6.	Tank, brush red	RP18484	1
7.	Brush	RP1712	1
8.	Guide, pressure pad	RP1705A	1
9.	Screw, Phillips truss head	RP1116D	5
10.	Washer, interlocking tooth #8	RP1710D	
11.	Pressure pad weight guide rod	RP1705E	2
12.	Screw, Set slot headless	RP1706A	5
13.	Weight, pressure pad	RP12605	1
14.	Weight, pressure pad red	RP18481	1
15.	Pivot, pressure pad	RP1704	5
16.	Plate assembly, 115 volt	RP12584	1
	Plate assembly, 230 volt	RP12585	1
17.	Thermostat	RP1808	1
18.	Switch assembly, triac (220 Volt only)	RP14873	1
19.	Heater assembly, cartridge 115 volt	RP12293	1
	Heater assembly, cartridge 230 volt	RP12334	1
20.	Weight Assembly, Pressure Pad (includes - pivot, guide, guide rod, plate, and weight)	RP16913	1
21.	Pad assembly, press lightweight red	RP18506	1
22.	Pad assembly, press lightweight	RP15742	1
20.	Hardware kit, ultra taper (not shown)	RP14269	1
21.	Lubricant, Dow Corning (not shown)	RP16706	1
	Kit, Harsh Elec. Environmental Ultra (not shown)	RP25735	