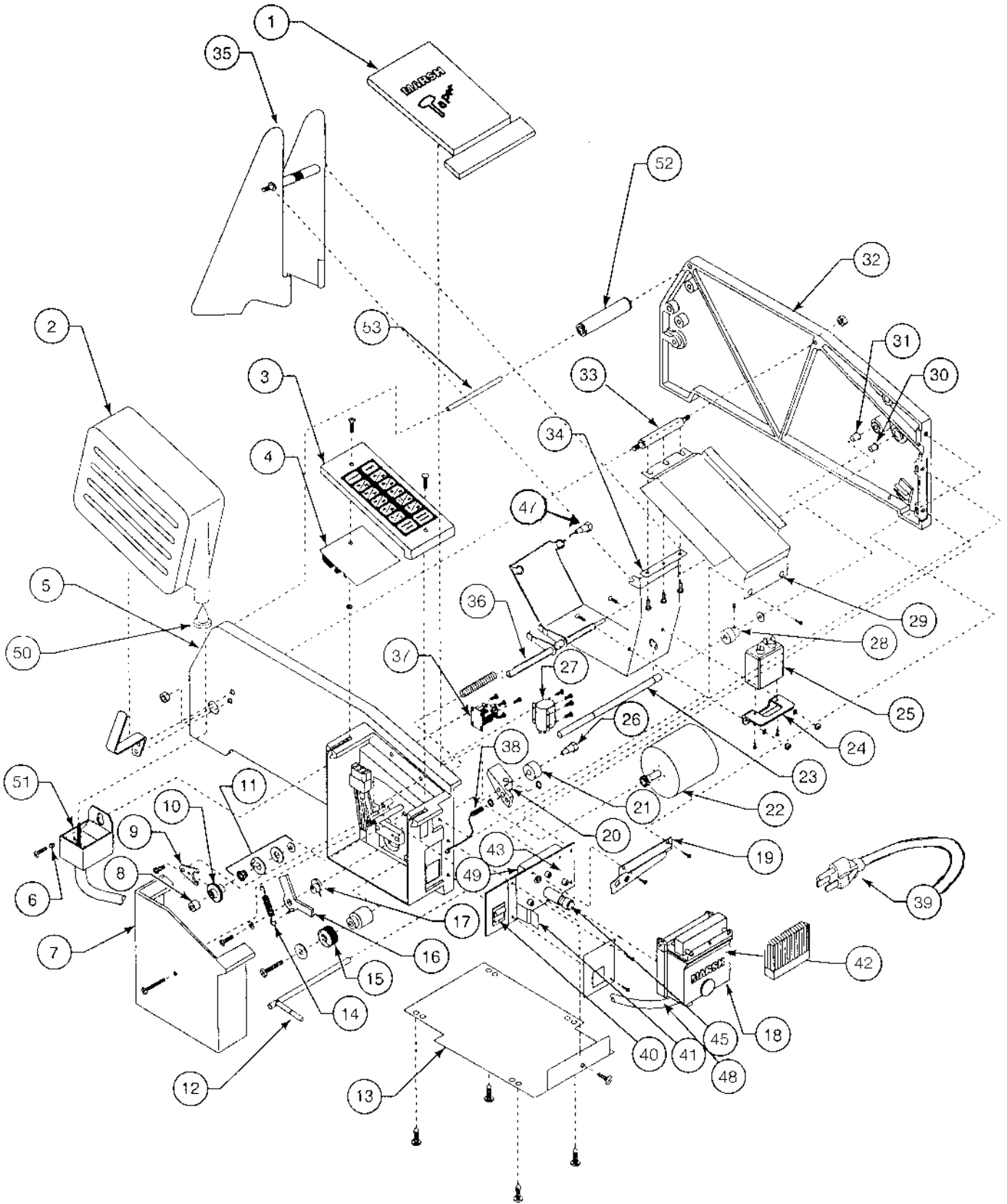


# Marsh Electra Parts List



## Marsh Electra Parts List

---

The following pages show the Electra Taper and list the corresponding numbers for repair parts. Please order your replacement parts by requesting the part numbers shown. Please also note the quantity provided in each package.

Description	Part Number	Quantity Per
1. Weight, cover		
blue	RP33471	1
black	RP33129	1
2. Bottle, Water	RP1903P	1
3. Cover, Switch/Incl. Keypad		
blue 115 volt	RP33300	1
black 115 volt	RP33127	1
blue 230 volt	RP32387IP	1
black 230 volt	RP32387	1
4. Board Assembly		
115 volt	RP32392	1
230 volt	RP33296	1
5. Chassis Assembly, Left		
blue	RP33132IP	1
black	RP33132	1
6. Bushing, Water Level Reg.	RP1912	2
7. Cover, Gear Assembly		
blue	RP33463	1
black	RP33119	1
8. Clutch, Feed Shaft	RP11902	1
9. Yoke and Pin Assembly	RP11915	1
10. Clutch, Main	RP11901	1
11. Clutch Assembly Cutter	RP12337	1
12. Shaft Assembly, Pivot	RP12424	1
13. Cover, Bottom	RP31946	1
14. Spring, Cutter	RP12378	5
15. Gear, Idler	RP12494	1
16. Link Sub-Assembly, Cutter	RP12365	1
17. Bushing assembly, ECC Cutter	RP13013	1
18. Tank Assy, Brush & Water Sys.		
blue 115 volt	RP33149	1
black 115 volt	RP33120	1

## Marsh Electra Parts List

	black 230 volt - lt. wt.	RP33500	1
19.	Cutter Assembly	RP33145	1
20.	Bracket, Measuring Wheel	RP17390	1
21.	Wheel Assy, Measuring	RP17666	1
22.	Motor Assembly		
	115 volt	RP16716	1
	230 volt	RP16717	1
23.	Shaft, Feed Wheel	RP14656	1
24.	Bracket, Filter	RP27539	1
25.	Filter, Line	RP25348	1
26.	Bolt, Shoulder	RP17389	1
27.	Capacitor		
	6 MF 115 volt	RP16202	1
	4 MF 230 volt	RP16424	1
28.	Wheel, Feed	RP12263	1
29.	Channel, Tape	RP29242	1
30.	Bearing, Flanged Nylon	RP3101A	5
31.	Bearing, Flanged Nylon $1/4 \times 3/8$	RP14881	2
32.	Chassis Assembly, Right		
	Blue	P33124IP	1
	Black	RP33124	1
33.	Rod, Tie	RP33138	1
34.	Tape Receptacle	RP33135	1
35.	Tape Guide Assembly	RP33139	1
36.	Shaft Assembly, Shift	RP13008	1
37.	Solenoid Assembly with Shaft		
	115 volt	RP27383	1
	230 volt	RP27384	1
38.	Sensor, With Connector	RP14334	1
39.	Cord, Power Supply	RPJ500-0043-001	1
40.	Switch, On/Off		
	115 volt	RP1392	1
	230 volt	RPE/1393	1
41.	Latch, Brush Tank	RP33540	1
42.	Brush	RP1712	1

## Marsh Electra Parts List

<b>43. Plate Assembly</b>		
<b>115 volt</b>	<b>RP33141</b>	<b>1</b>
<b>230 volt</b>	<b>RP12585</b>	<b>1</b>
<b>44. Switch Assembly, Triac (not shown)</b>	<b>RP14873</b>	<b>1</b>
<b>45. Heater Assembly Cartridge</b>		
<b>115 volt</b>	<b>RP12293</b>	<b>1</b>
<b>230 volt</b>	<b>RP12334</b>	<b>1</b>
<b>46. Lubricant, Dow Corning (not shown)</b>	<b>RP16706</b>	<b>1</b>
<b>47. Bolt, Shoulder - Tape Recp.</b>	<b>RP33140</b>	<b>2</b>
<b>48. Water Hose</b>	<b>RP1906B</b>	<b>2</b>
<b>49. Thermostat</b>	<b>RP1808</b>	<b>1</b>
<b>50. Duck Bill (Pkg of 5)</b>	<b>RP33460</b>	<b>1</b>
<b>51. Water Regulator</b>		
<b>blue</b>	<b>RP33459</b>	<b>2</b>
<b>black</b>	<b>RP33122</b>	<b>2</b>
<b>52. Tape Roller Assembly</b>	<b>RP5015X</b>	<b>1</b>
<b>53. Shaft Tape Roller</b>	<b>RP5016</b>	<b>1</b>